

## Model PH-21 Microphone

CE



### General Description

The Telex Model PH-21 Headworn Microphone consists of a microphone assembly mounted on the pivot arm of an adjustable headband. This high-quality, lightweight headset is specifically designed to provide excellent performance as a vocal microphone for drummers and keyboard players. This is also designed for use in special event remote broadcasting, auctions and other handsfree broadcast applications.

The microphone assembly is attached by a spring clip to a pivot arm which rotates 360 degrees allowing the boom microphone to be properly positioned. The spring clip also allows the assembly to be worn with a variety of eyeglasses. An adjustable, field-replaceable clothing clip removes the cord weight from the head of the user for long-term comfort.

### Design Features

#### MICROPHONE

The miniature close-talking electret microphone element is boom-mounted in a high-impact-resistant plastic housing. The boom can be swiveled over 180 degrees side-to-side to allow for precise positioning of the microphone. A foam windscreen is supplied with each microphone.

#### HEADBAND

The split piece headband consists of two stainless steel springs sheathed in black nylon webbing. The two stainless steel springs are adjustable to 180 degrees. Head pads are connected to the headband by stainless steel sliders that permit over two inches (50 mm) of adjustment. The headband should be placed over the crown of the user's head for stable operation. The head pad cushions are adhesive-back polyester urethane foam and are field-replaceable.

#### MODEL PH-21

The Model PH-21 is terminated with a TA4F 4-pin plug that allows the microphone to be interfaced with the Telex PS-10 Power Module and the Telex WT-50 Wireless Transmitter (see wiring diagram).

### Specifications

Element: Electret. Close-talking

Frequency Response: 20 to 20,000 Hz

Impedance: 3,000 Ohms

Output Level at 1 kHz: -60 dB (0 dB = 1 V/ %bar)

Maximum Sound Pressure: 130 dB

Supply Voltage: + 1.5 to 20 Vdc at pin 3 of headset connector

Cord: 3 ft (0.9 m)

Microphone Plug: TA4F

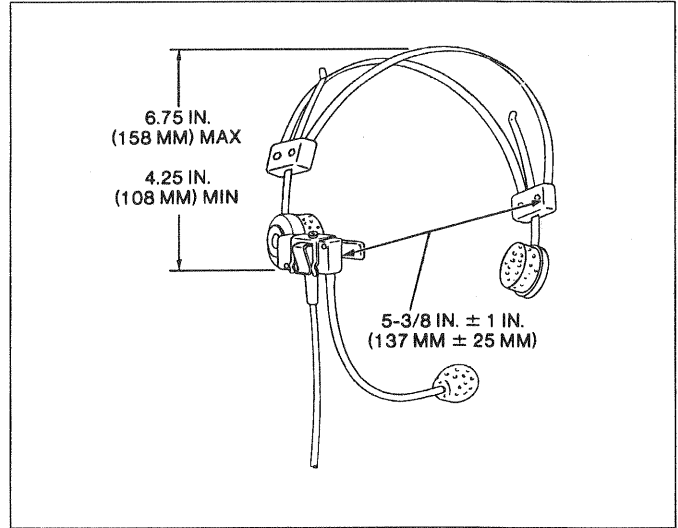
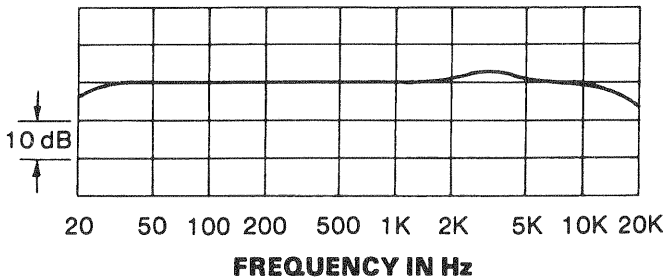
Weight: 8 oz (227 grams)

Color: Black

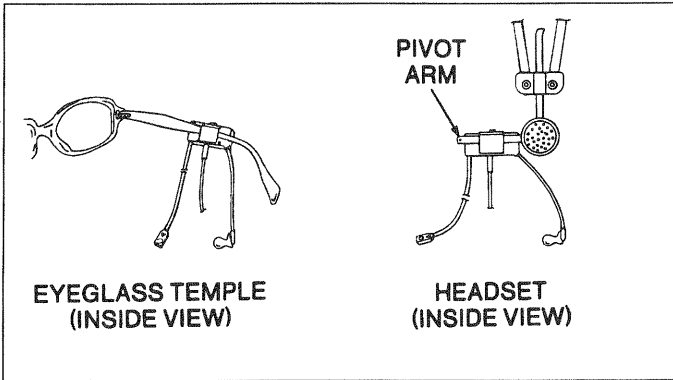
## Ordering Information

Model PH-21 Head-Worn Microphone . . . . .	64327-001
Replacement Windscreen . . . . .	59747-001
Replacement Spring Clip . . . . .	52878-000
Replacement Clothing Clip . . . . .	63097-002
Replacement Head Cushions . . . . .	63575-000
Replacement Carrying Pouch . . . . .	57893-000

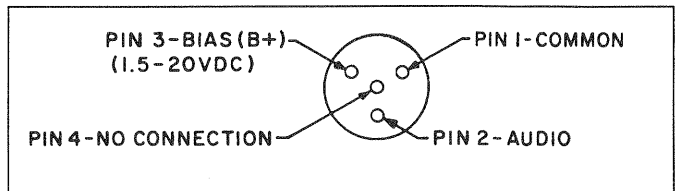
### TYPICAL FREQUENCY RESPONSE



**Dimension Drawing**



**Mounting Configurations**



**PH-21 Wiring Diagram**

